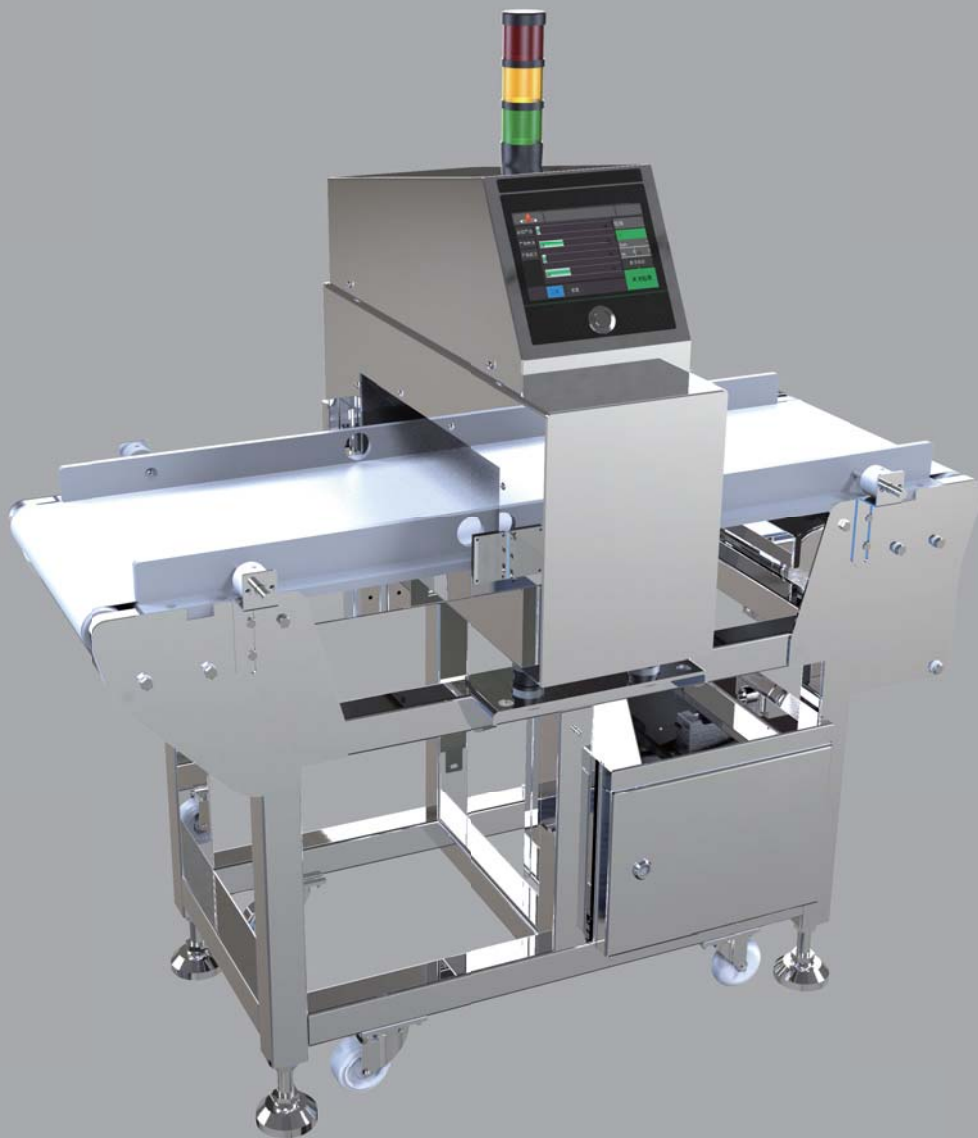




DMD-200

Digital Metal Detector



Searching for a New Balance

Product Specifications

Item	DMD
Conveyor Length	1.2m,1.5m,1.8m, optional
Working Mode	Five detection mode built-in: Dry, Wet, High Wet, Wet and Salty
HMI	7"
Port	USB
Conveyor Speed	5~60 m/minute adjustable
Power	AC220V 50-60Hz
Alarm	Sound and Alarm/Sound and Stop/Rejector
Belt	Food Grade PU/ Chain Plate
working Enviroment	Environment Temperature 0- 45°C Relative Humidity 30-85%
IP Grade	IP65
Frame Material	304 SUS, Mirror/Brushed/Sandblasted

Detector Model

Item	Detectable Width, cm						
	25	30	40	50	60	70	80
Models	2508	3008	4008	5008	6008	7008	8005
	2510	3010	4010	5010	6010	7010	8008
		3012	4012	5012	6012	7012	8010
		3015	4015	5015	6015	7015	8012
		3018	4018	5018	6018	7018	
		3020	4020	5020	6020	7020	
			4022	5022	6025	7022	
			4025	5025	6028	7025	
				5028	6030	7030	
				5030	6035		
					6040		

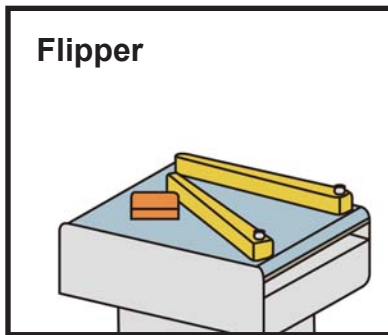
Feature

- Automatic phase adjustment technology is adopted to effectively suppress product effects and achieve high detection sensitivity.
- The multi-frequency technology is applied for all application scenarios.
- Intelligent settings, automatic learning, and two-step completion of new product settings.
- Two hundred products can be stored.
- LCD screen display, easy to realize human-machine dialogue operation.
- Multi-frequency detection, ferrous, stainless steel, non-ferrous and other metal foreign objects can be detected with high sensitivity.
- Made of stainless steel SUS304, high-level protection motors are available.
- Detachable rack design, no tools required, easy for daily cleaning.
- The special design of the conveyor belt prevents the conveyor belt from wandering.

Rejector

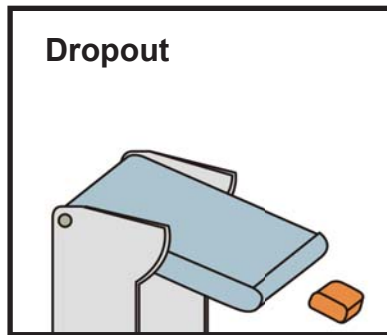
The sorting machine is used together with the food foreign matter detection system. The contaminants detection system provides an alarm signal to control the rejector to remove the defective products from the conveyor line and avoid flowing into the next production link.

- Use cylinder or electric cylinder drive, a variety of sorting methods are optional, suitable for a variety of products.
- High precision, eliminate fast, improve the qualified rate of products, reduce user complaints.
- Reinforced stainless steel frame with high waterproof rating.
- All contact parts are made of food grade materials to ensure that the product is not contaminated.
- Used in all kinds of automatic assembly line and logistics conveying system.
- Widely used in pharmaceutical, food and other industries online sorting.
- It can directly replace manual sorting to improve production efficiency and reliability.



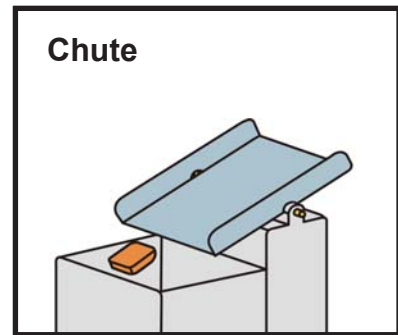
Flipper

Use left and right swinging arm to sort the product under test, suitable for thicker products.



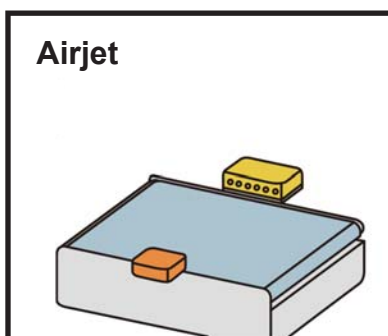
Dropout

Use up and down swinging conveyor to sort the products under test, suitable for lighter products.



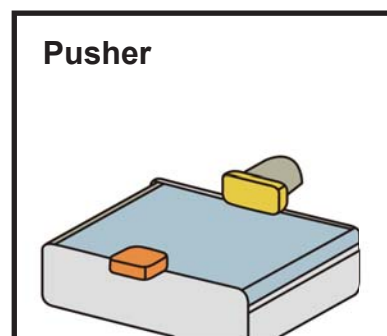
Chute

Use an up-and down flip plate to sort the product under test, suitable for bulk food.



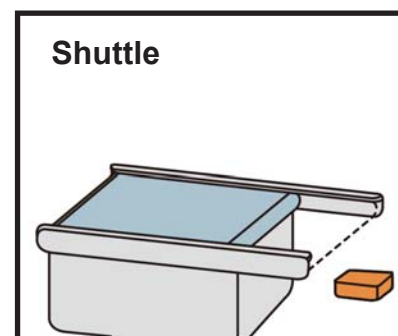
Airjet

Use high pressure air to separate the tested products, suitable for light food or bulk food.



Pusher

The push rod driven by the cylinder is used to sort the product under test, which is suitable for medium and large packaging products.



Shuttle

The push rod driven by the cylinder is used to sort the product under test, which is suitable for medium and large packaging products.

Shanghai Teraoka Electronic co.,Ltd

ADD:Ting Lin Industry Development Zone,
Jin Shan County, Shanghai 201505 China

TEL:+86-21-64085151

FAX:+86-21-34612050